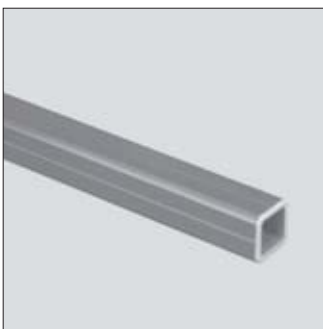




产品特性 Product features

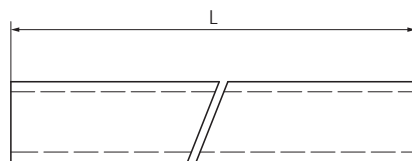
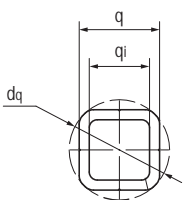
- CSB-LIN[®]Q方轴直线导向系统确保线性、抗扭转运动，非常适用于架空的应用。由于表面硬质氧化铝合金方轨采用空心设计，中间可穿置并保护电缆。配合LIN-12Q塑料直线轴承实现免维护和灵活的安装。
- 自润滑，高耐磨
- 低噪音、易安装
- 用于抗扭转直线运动
- 适用于污垢或灰尘环境
- CSB-LIN[®]Q square linear guide system ensures linear, torque-resistant motion are ideally suited for the unsupported applications. Due to the hollow design of the surface hard anodized aluminum alloy square rail, the cables can be inserted and protected in hollow profile. and installed with LIN-12Q plastic linear bearing will be maintenance-free and flexible installation.
- Maintenance-free, high wear resistance
- Low noise and fitted very easy
- Linear movement with torque resistance
- Resistance to dirt and dust

QAS 直线方轴 Square linear shafts



- 方型设计传输扭矩
- 表面硬质氧化铝合金
- 适合架空应用
- 结实、轻巧
- 耐腐蚀
- Torque-resistant square design
- Aluminum, hard anodized surface
- Suitable for unsupported applications
- Durable and light
- Corrosion-resistant

标准规格 Standard specifications



产品编码 Part No.:

QAS-20-0000

- 长度 Length
- 外形尺寸 Outer dimension
- 铝 Allminum
- 方形 Square profile

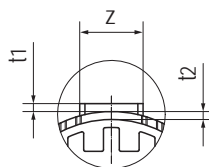
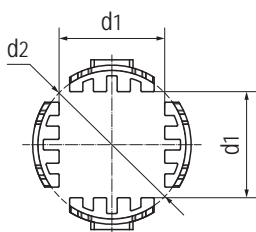
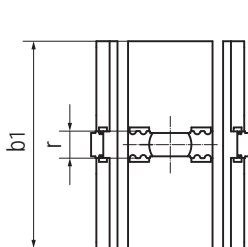
产品编码 Part No.	q [mm]	qi [mm]	dq [mm]	最大长度 Max. length [mm]	重量 Weight [kg/m]
QAS-20-0000	20	15	25	3000	0.46

LIN-12Q 方轴直线滑动膜 Square sliding liners



- 标准耐磨材料EPB13
- 自润滑，高耐磨
- 低噪音、易安装
- 用于抗扭转直线运动
- 适用于污垢或灰尘环境
- 使用温度 -50℃/+90℃
- Made of anti-wear material EPB13
- Maintenance-free, high wear resistance
- Low noise and fitted very easy
- Linear movement with torque resistance
- Resistance to dirt and dust
- Operation temperature -50℃/+90℃

标准规格 Standard specifications



产品编码 Part No.:

LIN-12Q-20

内孔尺寸 Inner dimension

标准设计 Standard design

产品编码 Part No.	d ₁ [mm]	d ₂ [mm]	b ₁ [mm]	t ₁ [mm]	t ₂ [mm]	r _{±0.05} [mm]	z [mm]	重量 Weight [g]
LIN-12Q-20	20	28	39	1	1	5.2	8	8.92

配合LIN-12Q滑动膜产品:

LIN-12Q Liners are used in:



LIN-12QRF



LIN-12QRT



LIN-12QRFL



LIN-12QRTL



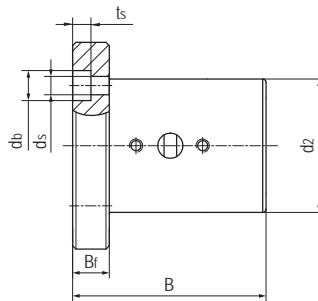
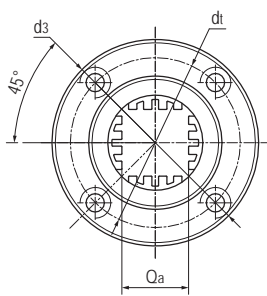
LIN-12QB



LIN-12QBL

LIN-12QRF 圆法兰塑料直线轴承 Plastic linear bearings with round flange


- 封闭式圆法兰设计
 - 装配LIN-12Q滑动膜
 - 阳极氧化铝合金适配器
 - 承受扭矩高达 5 Nm
 - 免维护、低噪音
 - 适用于污垢或灰尘环境
 - 使用温度-50℃/+90℃
- Closed design with round flange
 - Assembled LIN-12Q liners
 - Anodized aluminum adapter
 - Torque absorption up to 5 Nm
 - Maintenance-free and low noise
 - Resistance to dirt and dust
 - Operation temperature -50℃/+90℃

标准规格 Standard specifications


产品编码 Part No.:

LIN-12QRF-20

内孔尺寸 Inner dimension

 圆法兰保持器
Round flange aluminum adapter

 LIN-12Q 标准滑动膜
Standard liners LIN-12Q

产品编码 Part No.	d_2 [mm]	B_f [mm]	O_a [mm]	d_3 [mm]	d_1 [mm]	B [mm]	d_s [mm]	d_b [mm]	t_s [mm]
LIN-12QRF-20	40	11	20	62	51	58	5.5	9	5.5

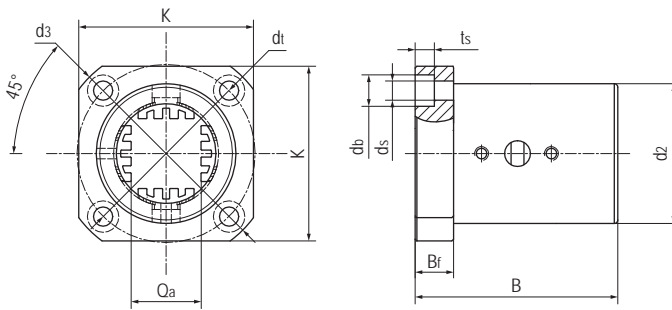
产品编码 Part No.	内孔尺寸 Inner dimension [mm]	F max. [N] 最大动载荷 Dynamic Load P=5MPa	F max. [N] 最大静载荷 Static Load P=35MPa	最大扭矩 Max. torque [Nm]	重量 Weight [g]
LIN-12QRF-20	20	1600	11500	5	131

LIN-12QRT 方法兰塑料直线轴承 Plastic linear bearings with square flange



- 封闭式方法兰设计
 - 装配LIN-12Q滑动膜
 - 阳极氧化铝合金适配器
 - 承受扭矩高达 5 Nm
 - 免维护、低噪音
 - 适用于污垢或灰尘环境
 - 使用温度 -50℃/+90℃
- Closed design with square flange
 - Assembled LIN-12Q liners
 - Anodized aluminum adapter
 - Torque absorption up to 5 Nm
 - Maintenance-free and low noise
 - Resistance to dirt and dust
 - Operation temperature -50℃/+90℃

标准规格 Standard specifications



产品编码 Part No.:

LIN-12QRT-20

- 内孔尺寸 Inner dimension
- 方法兰保持器 Angular flang aluminum adapter
- LIN-12Q 标准滑动膜 Standard liners LIN-12Q

产品编码 Part No.	K [mm]	d ₂ [mm]	B _r [mm]	O _a [mm]	d ₃ [mm]	d ₁ [mm]	B [mm]	d _s [mm]	d ₀ [mm]	t _s [mm]
LIN-12QRT-20	50	40	11	20	62	51	58	5.5	9	5.5

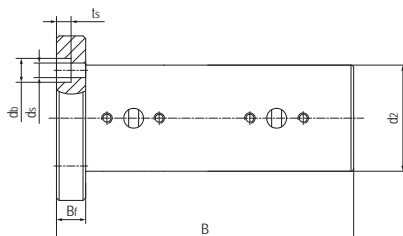
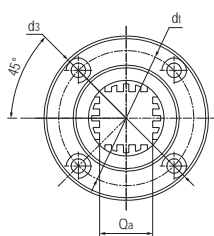
产品编码 Part No.	内孔尺寸 Inner dimension [mm]	F max. [N] 最大动载荷 Dynamic Load P=5MPa	F max. [N] 最大静载荷 Static Load P=35MPa	最大扭矩 Max. torque [Nm]	重量 Weight [g]
LIN-12QRT-20	20	1600	11500	5	131

LIN-12QRFL 加长型圆法兰直线轴承 Linear bearings with round flange, Long design



- 封闭式圆法兰加长设计
 - 装配2个LIN-12Q滑动膜
 - 阳极氧化铝合金适配器
 - 承受扭矩高达 10 Nm
 - 免维护、低噪音
 - 适用于污垢或灰尘环境
 - 使用温度 -50℃/+90℃
- Closed design with round flange
 - Assembled 2pcs liners LIN-12Q
 - Anodized aluminum adapter
 - Torque absorption up to 10 Nm
 - Maintenance-free and low noise
 - Resistance to dirt and dust
 - Operation temperature -50℃/+90℃

标准规格 Standard specifications



产品编码 Part No.:

LIN-12QRFL-20

- 内孔尺寸 Inner dimension
- 圆法兰加长型保持器 Round flange aluminum adapter (long design)
- LIN-12Q 标准滑动膜 Standard liners LIN-12Q

轴 Shaft: h6-h9

产品编码 Part No.	d_2 [mm]	B_f [mm]	Q_a [mm]	d_3 [mm]	d_1 [mm]	B [mm]	d_s [mm]	d_b [mm]	t_s [mm]
LIN-12QRFL-20	40	211	20	62	51	112	5.5	9	5.5

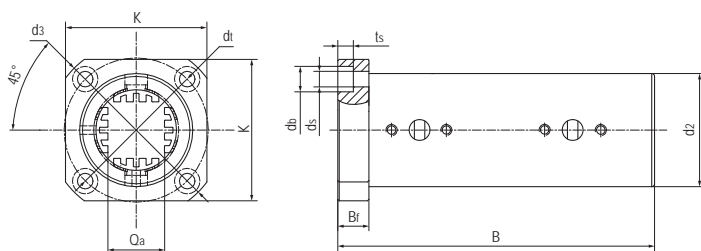
产品编码 Part No.	内孔尺寸 Inner dimension [mm]	F max. [N] 最大动载荷 Dynamic Load P=5MPa	F max. [N] 最大静载荷 Static Load P=35MPa	最大扭矩 Max. torque [Nm]	重量 Weight [g]
LIN-12QRFL-20	20	3200	23000	10	231

LIN-12QRTL 加长型方法兰直线轴承 Linear bearings with square flange, Long design



- 封闭式方法兰加长设计
 - 装配2个LIN-12Q滑动膜
 - 阳极氧化铝合金适配器
 - 承受扭矩高达 10 Nm
 - 免维护、低噪音
 - 适用于污垢或灰尘环境
 - 使用温度 -50℃/+90℃
- Closed design with square flange
 - Assembled 2pcs liners LIN-12Q
 - Anodized aluminum adapter
 - Torque absorption up to 10 Nm
 - Maintenance-free and low noise
 - Resistance to dirt and dust
 - Operation temperature -50℃/+90℃

标准规格 Standard specifications



产品编码 Part No.:

LIN-12QRTL-20

- 内孔尺寸 Inner dimension
- 方法兰加长型保持器 Angular flang aluminum adapter (long design)
- LIN-12Q 标准滑动膜 Standard liners LIN-12Q

轴 Shaft: h6-h9

产品编码 Part No.	K [mm]	d ₂ [mm]	B _f [mm]	O _a [mm]	d ₃ [mm]	d ₁ [mm]	B [mm]	d _s [mm]	d _b [mm]	t _s [mm]
LIN-12QRTL-20	50	40	11	20	62	51	112	5.5	9	5.5

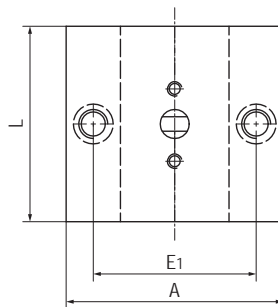
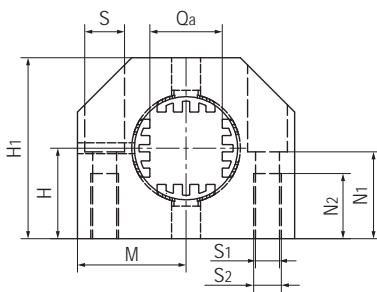
产品编码 Part No.	内孔尺寸 Inner dimension [mm]	F max. [N] 最大动载荷 Dynamic Load P=5MPa	F max. [N] 最大静载荷 Static Load P=35MPa	最大扭矩 Max. torque [Nm]	重量 Weight [g]
LIN-12QRTL-20	20	3200	23000	10	231

LIN-12QB 塑料直线轴承座 Plastic linear pillow blocks



- 封闭式短型枕块设计
 - 装配LIN-12Q滑动膜
 - 阳极氧化铝合金适配器
 - 承受扭矩高达 5 Nm
 - 免维护、低噪音
 - 适用于污垢或灰尘环境
 - 使用温度-50℃/+90℃
- Closed and short block design
 - Assembled LIN-12Q liners
 - Anodized aluminum adapter
 - Torque absorption up to 5 Nm
 - Maintenance-free and low noise
 - Resistance to dirt and dust
 - Operation temperature -50℃/+90℃

标准规格 Standard specifications



产品编码 Part No.:

LIN-12QB-20

内孔尺寸 Inner dimension

短型设计滑块 Short design block

LIN-12Q 标准滑动膜
Standard liners LIN-12Q

产品编码 Part No.	Qa [mm]	H [mm]	H ₁ [mm]	A [mm]	M ± 0.02 [mm]	E ₁ [mm]	S [mm]	S ₁ [mm]	S ₂ [mm]	N ₁ [mm]	N ₂ [mm]	L [mm]
LIN-12QB-20	20	27	54	62	31	48	11	6.6	M8	26	18	40

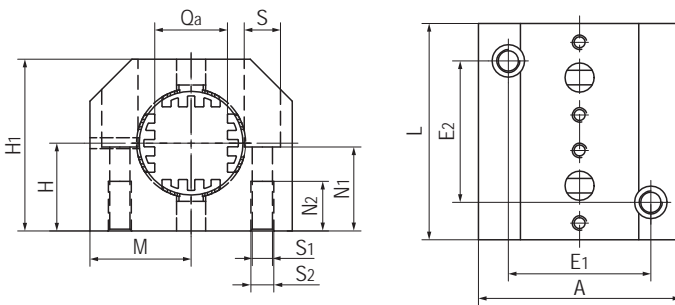
产品编码 Part No.	内孔尺寸 Inner dimension [mm]	F max. [N] 最大动载荷 Dynamic Load P=5MPa	F max. [N] 最大静载荷 Static Load P=35MPa	最大扭矩 Max. torque [Nm]	重量 Weight [g]
LIN-12QB-20	20	1600	11500	5	250

LIN-12QBL 加长型塑料直线轴承座 Plastic linear pillow blocks, Long design



- 封闭式加长型枕块设计
 - 装配2个LIN-12Q滑动膜
 - 阳极氧化铝合金适配器
 - 承受扭矩高达10 Nm
 - 免维护、低噪音
 - 适用于污垢或灰尘环境
 - 使用温度-50℃/+90℃
- Closed block design and increased the guide length
 - Assembled 2pcs liners LIN-12Q
 - Anodized aluminum adapter
 - Torque absorption up to 10 Nm
 - Maintenance-free and low noise
 - Resistance to dirt and dust
 - Operation temperature -50℃/+90℃

标准规格 Standard specifications



产品编码 Part No.:

LIN-12QBL-20

内孔尺寸 Inner dimension

加长型设计滑块 Long design block

LIN-12Q 标准滑动膜
Standard liners LIN-12Q

产品编码 Part No.	Qa [mm]	H [mm]	H ₁ [mm]	A [mm]	M ± 0.02 [mm]	E ₁ [mm]	E ₂ [mm]	S [mm]	S ₁ [mm]	S ₂ [mm]	N ₁ [mm]	N ₂ [mm]	L [mm]
LIN-12QBL-20	20	27	54	62	31	48	55	11	6.6	M8	26	18	85

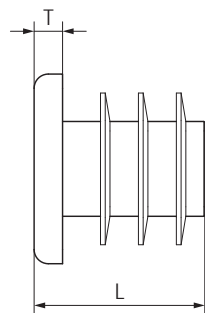
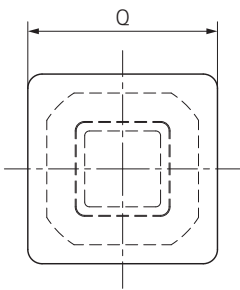
产品编码 Part No.	内孔尺寸 Inner dimension [mm]	F max. [N] 最大动载荷 Dynamic Load P=5MPa	F max. [N] 最大静载荷 Static Load P=35MPa	最大扭矩 Max. torque [Nm]	重量 Weight [g]
LIN-12QBL-20	20	3000	21000	10	550

QAS-EC01 方轴塑料端盖 Endcaps for square shafts



- 多阻尼板设计防止盖子脱出
- 由塑料制成，耐腐蚀
- 压配合设计，易安装
- Multi-damping plate design blocks cap escape
- Made of plastic and corrosion-resistant
- Press-fit design for easy installation

标准规格 Standard specifications



产品编码 Part No.:

QAS-EC01-20

方轴尺寸 Square shaft size

标准设计 Standard design

产品编码 Part No.	Q [mm]	T [mm]	L [mm]	重量 Weight [g]
QAS-EC01-20	20	3	16	1.9