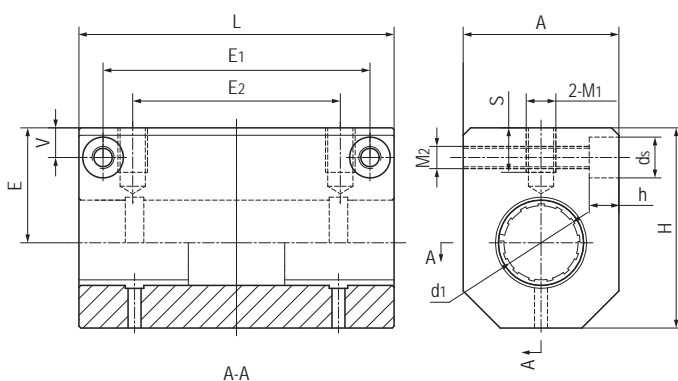


### LIN-12BHL 加长型直线滑块轴承 Long design pillow blocks



- 封闭式加长型枕块设计
  - 装配2个LIN-12滑动膜
  - 阳极氧化铝合金适配器
  - 采用螺栓吊装或侧向安装
  - 免维护、低噪音
  - 适用于污垢或灰尘环境
  - 使用温度-50℃/+90℃
- Closed block design and increased the guide length
  - Assembled 2pcs liners LIN-12
  - Anodized aluminum adapter
  - Mounted from one side or top with bolts
  - Maintenance-free and low noise
  - Resistance to dirt and dust
  - Operation temperature -50℃/+90℃

### 标准规格 Standard specifications



产品编码 Part No.:

LIN-12BHL-12

轴承内径 Inner diameter

加长型设计滑块 Long design block

LIN-12标准滑动膜  
Standard liners LIN-12

轴 Shaft: h6-h9

产品编码 Part No.	d <sub>1</sub> [mm]	公差 Tolerance [mm]	L [mm]	E <sub>1</sub> ± 0.2 [mm]	E <sub>2</sub> ± 0.2 [mm]	S [mm]	E ± 0.05 [mm]	A [mm]	H [mm]	V [mm]	M <sub>1</sub> [mm]	M <sub>2</sub> [mm]	d <sub>s</sub> x h [mm]
LIN-12BHL-10	10	+0.030/+0.088	62	36	50	6	19	26	32	6	M6	M5	Φ8x5.5
LIN-12BHL-12	12	+0.030/+0.088	62	36	50	6	20	28	34	6	M6	M5	Φ8x5.5
LIN-12BHL-16	16	+0.030/+0.088	78	52	65	6	27	36	49	7	M6	M6	Φ9x6.5
LIN-12BHL-20	20	+0.030/+0.091	95	58	70	8	31	42	54	8	M8	M8	Φ11x8.5
LIN-12BHL-25	25	+0.030/+0.091	120	80	100	10	37	52	65	9	M10	M10	Φ14x10.5
LIN-12BHL-30	30	+0.040/+0.110	128	90	110	10	40	58	71	9	M10	M10	Φ14x10.5

产品编码 Part No.	轴径 Shaft [mm]	F max. [N] 最大动载荷 Dynamic Load P=5MPa	F max. [N] 最大静载荷 Static Load P=35MPa	重量 Weight [g]
LIN-12BHL-10	10	1300	9100	110
LIN-12BHL-12	12	1680	11760	125
LIN-12BHL-16	16	2400	16805	300
LIN-12BHL-20	20	3000	21000	405
LIN-12BHL-25	25	5000	35000	850
LIN-12BHL-30	30	7500	52500	1090