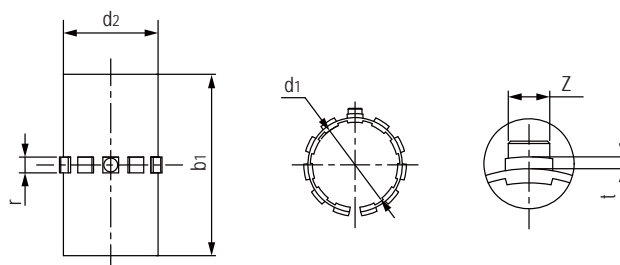


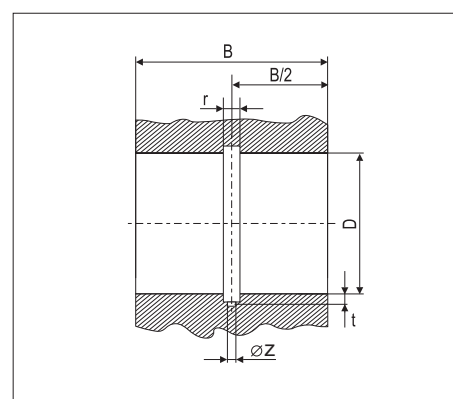
LIN-12 滑动膜 Liners


座孔 Housing: H7 轴 Shaft: h6-h9

产品编码 Part No.	d_1 [mm]	公差 Tolerance [mm]	d_2 [mm]	b_1 [mm]	t [mm]	Z [mm]	r [-0.1/-0.2] [mm]	重量 Weight [g]
LIN-12-10	10	+0.030/+0.070	12	25	0.8	2.5	3.0	1.1
LIN-12-12	12	+0.030/+0.070	14	27	0.8	3.0	3.0	1.4
LIN-12-16	16	+0.030/+0.070	18	29	0.8	3.5	3.5	1.9
LIN-12-20	20	+0.030/+0.070	23	29	0.8	3.5	5.0	3.3
LIN-12-25	25	+0.030/+0.070	28	39	0.8	4.0	5.0	5.5
LIN-12-30	30	+0.040/+0.085	34	49	0.8	4.0	5.0	11.1
LIN-12-40	40	+0.040/+0.085	44	59	1.3	5.0	6.0	19.0
LIN-12-50	50	+0.050/+0.100	55	69	1.3	6.0	7.0	35.3

装配尺寸 Installation size

产品编码 Part No.	轴径 Shaft [mm]	D H7 [mm]	B h10 [mm]	$r^{+0.5}$ [mm]	$t^{+0.05}$ [mm]	$Z^{+0.2}$ [mm]
LIN-12-10	10	12	26	3.0	0.8	2.6
LIN-12-12	12	14	28	3.0	0.8	3.1
LIN-12-16	16	18	30	3.5	0.8	3.6
LIN-12-20	20	23	30	5.0	0.8	3.6
LIN-12-25	25	28	40	5.0	0.8	4.1
LIN-12-30	30	34	50	5.0	0.8	4.1
LIN-12-40	40	44	60	6.0	1.3	5.1
LIN-12-50	50	55	70	7.0	1.3	6.1


配合LIN-12滑动膜产品:

LIN-12 Liners are used in:



LIN-12R

LIN-12RTL

LIN-12RTM

LIN-12B

产品编码 Part No.:

LIN-12-10

内径 Inner diameter

标准系列12 Standard series 12