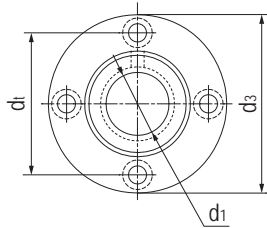
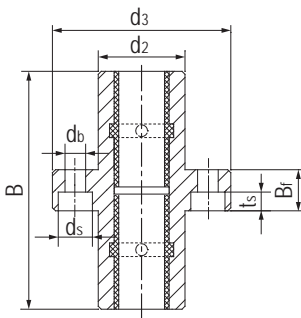


**LIN-12RFM 加长型中圆法兰塑料直线轴承 Round middle flange linear bearings(long design)**


- 封闭式、中间圆法兰加长设计
  - 装配2个LIN-12滑动膜
  - 阳极氧化铝合金适配器
  - 螺栓固定
  - 免维护、低噪音
  - 适用于污垢或灰尘环境
  - 使用温度-50℃/+90℃
- Closed design with round flange in the middle
  - Assembled 2pcs liners LIN-12
  - Anodized aluminum adapter
  - Secured by bolts
  - Maintenance-free and low noise
  - Resistance to dirt and dust
  - Operation temperature -50℃/+90℃

**标准规格 Standard specifications**


产品编码 Part No.:

**LIN-12RFM-10**

轴承内径 Inner Diameter

 中圆法兰加长型保持器  
Middle round flange aluminum adapter(long design)

 LIN-12标准滑动膜  
Standard liners LIN-12

座孔 Housing: H7 轴 Shaft: h6-h9

产品编码 Part No.	d <sub>1</sub> [mm]	公差 Tolerance [mm]	d <sub>2</sub> h7 [mm]	d <sub>3</sub> [mm]	d <sub>i</sub> [mm]	B [mm]	B <sub>i</sub> [mm]	t <sub>s</sub> [mm]	d <sub>b</sub> [mm]	d <sub>s</sub> [mm]
LIN-12RFM-10	10	+0.030/+0.088	19	39	29	52	9	4.1	4.5	7.5
LIN-12RFM-12	12	+0.030/+0.088	22	42	32	57	9	4.1	4.5	7.5
LIN-12RFM-16	16	+0.030/+0.088	26	46	36	70	9	4.1	4.5	7.5
LIN-12RFM-20	20	+0.030/+0.091	32	54	43	80	11	5.1	5.5	9
LIN-12RFM-25	25	+0.030/+0.091	40	62	51	112	11	5.1	5.5	9
LIN-12RFM-30	30	+0.030/+0.110	47	76	62	123	14	6.1	6.6	11
LIN-12RFM-40	40	+0.030/+0.115	62	98	80	151	18	8.1	9	14
LIN-12RFM-50	50	+0.030/+0.130	75	112	94	192	18	8.1	9	14

产品编码 Part No.	轴径 Shaft [mm]	座孔 Housing H7 [mm]	公差 Tolerance [mm]	F max. [N] 最大动载荷 Dynamic Load P=5MPa	F max. [N] 最大静载荷 Static Load P=35MPa	重量 Weight [g]
LIN-12RFM-10	10	19	0/+0.021	1300	9100	44
LIN-12RFM-12	12	22	0/+0.021	1680	11760	57
LIN-12RFM-16	16	26	0/+0.021	2400	16800	79
LIN-12RFM-20	20	32	0/+0.025	3000	21000	126
LIN-12RFM-25	25	40	0/+0.025	5000	35000	249
LIN-12RFM-30	30	47	0/+0.025	7500	52500	388
LIN-12RFM-40	40	62	0/+0.030	12000	84000	835
LIN-12RFM-50	50	75	0/+0.030	17500	122500	1352