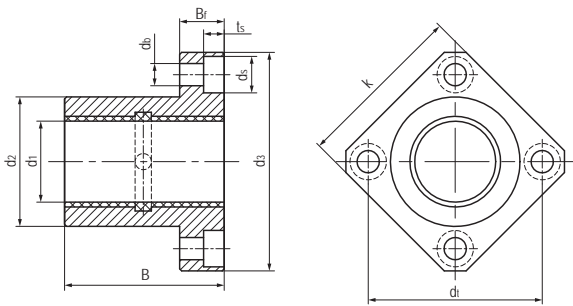


LIN-11RT 方法兰塑料直线轴承 Angular flang linear bearings



- 封闭式方法兰设计
- 装配LIN-11滑动膜
- 阳极氧化铝合金适配器
- 螺栓固定
- 免维护、低噪音
- 适用于污垢或灰尘环境
- 使用温度-50℃/+90℃
- Closed design with square flange
- Assembled LIN-11 liners
- Anodized aluminum adapter
- Secured by bolts
- Maintenance-free and low noise
- Resistance to dirt and dust
- Operation temperature -50℃/+90℃

标准规格 Standard specifications



产品编码 Part No.:

LIN-11RT-10

- 内径 Inner diameter
- 方法兰保持器 Angular flange aluminum adapter
- LIN-11标准滑动膜 Standard liners LIN-11

座孔 Housing: H7 轴 Shaft: h6-h9

产品编码 Part No.	d ₁ [mm]	公差 Tolerance [mm]	d ₂ h7 [mm]	d ₃ [mm]	d ₄ [mm]	k [mm]	B [mm]	B ₁ [mm]	t ₁ [mm]	d ₅ [mm]	d _s [mm]
LIN-11RT-06B	6	+0.020/+0.068	12	29	21	23	22	8	3.1	3.5	6
LIN-11RT-08B	8	+0.025/+0.083	16	32	24	25	25	8	3.1	3.5	6
LIN-11RT-10	10	+0.030/+0.088	19	39	29	30	29	9	4.1	4.5	7.5
LIN-11RT-12	12	+0.030/+0.088	22	42	32	32	32	9	4.1	4.5	7.5
LIN-11RT-16	16	+0.030/+0.088	26	46	36	35	36	9	4.1	4.5	7.5
LIN-11RT-20	20	+0.030/+0.091	32	54	43	42	45	11	5.1	5.5	9
LIN-11RT-25	25	+0.030/+0.091	40	62	51	50	58	11	5.1	5.5	9
LIN-11RT-30	30	+0.040/+0.110	47	76	62	60	68	14	6.1	6.6	11
LIN-11RT-40	40	+0.040/+0.115	62	98	80	75	80	18	8.1	9	14
LIN-11RT-50	50	+0.050/+0.130	75	112	94	88	100	18	8.1	9	14

产品编码 Part No.	轴径 Shaft [mm]	座孔 Housing H7 [mm]	公差 Tolerance [mm]	F max. [N] 最大动载荷 Dynamic Load P=5MPa	F max. [N] 最大静载荷 Static Load P=35MPa	重量 Weight [g]
LIN-11RT-06B	6	12	0/+0.018	525	3675	15
LIN-11RT-08B	8	16	0/+0.018	960	6720	20
LIN-11RT-10	10	19	0/+0.021	725	5075	34
LIN-11RT-12	12	22	0/+0.021	960	6720	43
LIN-11RT-16	16	26	0/+0.021	1440	10080	54
LIN-11RT-20	20	32	0/+0.025	2250	15750	91
LIN-11RT-25	25	40	0/+0.025	3625	25375	154
LIN-11RT-30	30	47	0/+0.025	5100	35700	266
LIN-11RT-40	40	62	0/+0.030	8000	56000	555
LIN-11RT-50	50	75	0/+0.030	9000	87500	852