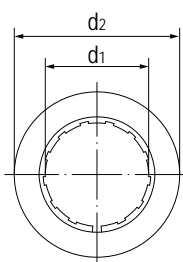
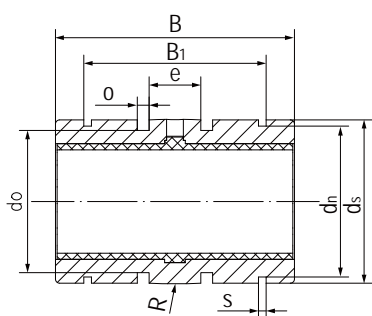


LIN-11RS 调心直线轴承 Floating linear bearings, closed



- 封闭式自动调心设计
 - 装配LIN-11滑动膜
 - 阳极氧化铝合金适配器
 - 卡簧轴向固定
 - 免维护、低噪音
 - 适用于污垢或灰尘环境
 - 使用温度-50℃/+90℃
- Closed and self-aligning design
 - Assembled LIN-11 liners
 - Anodized aluminum adapter
 - Axial secured by circlips
 - Maintenance-free and low noise
 - Resistance to dirt and dust
 - Operation temperature -50℃/+90℃

标准规格 Standard specifications



产品编码 Part No.:

LIN-11RS-10

- 内径 Inner diameter
- 自调整保持器
Automatic alignment aluminum adapter
- LIN-11标准滑动膜
Standard liners LIN-11

座孔 Housing: H7 轴 Shaft: h6-h9

产品编码 Part No.	d ₁ [mm]	公差 Tolerance [mm]	d ₂ h8 [mm]	B h10 [mm]	B ₁ H10 [mm]	s H10 [mm]	d _n h10 [mm]	d _s h10 [mm]	d _o h10 [mm]	o _{±0.1} [mm]	e [mm]	R [mm]
LIN-11RS-10	10	+0.030/+0.088	18.8	28.9	21.8	1.30	17.5	18.5	15.4	1.86	5.0	13.0
LIN-11RS-12	12	+0.030/+0.088	21.8	31.9	22.8	1.30	20.5	21.5	18.4	1.86	6.0	18.0
LIN-11RS-16	16	+0.030/+0.088	25.8	35.9	24.9	1.30	24.2	25.5	20.7	2.86	8.0	32.0
LIN-11RS-20	20	+0.030/+0.091	31.8	44.8	31.5	1.60	29.6	31.5	26.7	2.86	10.0	50.0
LIN-11RS-25	25	+0.030/+0.091	39.8	57.8	44.1	1.85	36.5	39.5	34.7	2.86	12.5	39.0
LIN-11RS-30	30	+0.040/+0.110	46.7	67.8	52.1	1.85	43.5	46.0	41.7	2.86	15.0	57.0
LIN-11RS-40	40	+0.040/+0.115	61.7	79.8	60.9	2.15	57.8	61.0	56.7	2.86	20.0	100.0
LIN-11RS-50	50	+0.050/+0.130	74.7	99.8	78.0	2.65	70.5	74.0	69.7	2.86	25.0	157.0

产品编码 Part No.	轴径 Shaft [mm]	座孔 Housing H7 [mm]	公差 Tolerance [mm]	F max. [N] 最大动载荷 Dynamic Load P=5MPa	F max. [N] 最大静载荷 Static Load P=35MPa	重量 Weight [g]
LIN-11RS-10	10	19	0/+0.021	725	5075	12
LIN-11RS-12	12	22	0/+0.021	960	6720	18
LIN-11RS-16	16	26	0/+0.021	1440	10080	23
LIN-11RS-20	20	32	0/+0.025	2250	15750	43
LIN-11RS-25	25	40	0/+0.025	3625	25375	95
LIN-11RS-30	30	47	0/+0.025	5100	35700	145
LIN-11RS-40	40	62	0/+0.030	8000	56000	316
LIN-11RS-50	50	75	0/+0.030	9000	87500	550