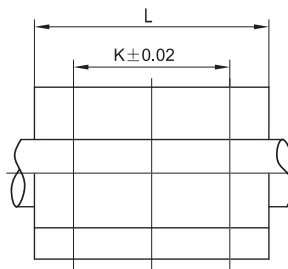
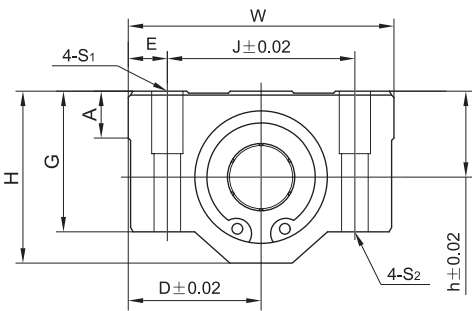


LIN-11G 标准设计直线轴承座 Housing bearings, standard design



- 封闭式带轴承座设计
- 装配LIN-11R直线轴承
- 阳极氧化铝合金座孔
- 螺栓固定
- 免维护、低噪音
- 适用于污垢或灰尘环境
- 使用温度-50℃/+90℃
- Closed design with housing
- Assembled linear bearings LIN-11R
- Anodized aluminum housing
- Secured by bolts
- Maintenance-free and low noise
- Resistance to dirt and dust
- Operation temperature -50℃/+90℃

标准规格 Standard specifications



产品编码 Part No.:

LIN-11G-16

轴承内径 Inner diameter

标准设计直线轴承座

Pillow block, standard design

LIN-11R直线轴承

Standard bearings LIN-11R

轴 Shaft: h6-h9

产品编码 Part No.	内装轴承 Bearing [mm]	轴径 Shaft [mm]	尺寸 Size [mm]											
			h	D	W	H	G	A	J	E	S ₁	S ₂	K	L
LIN-11G-12	LIN-11R-12	12	15	22	44	30	24	8	33	5.5	M5*12	Φ4.3	26	39
LIN-11G-16	LIN-11R-16	16	19	25	50	38.5	32.5	9	36	7	M5*12	Φ4.3	34	44
LIN-11G-20	LIN-11R-20	20	21	27	54	41	35	11	40	7	M6*12	Φ5.2	40	53
LIN-11G-25	LIN-11R-25	25	26	38	76	51.5	41	12	54	11	M8*12	Φ7	50	67
LIN-11G-30	LIN-11R-30	30	30	39	78	59.5	49	15	58	10	M8*12	Φ7	58	76
LIN-11G-40	LIN-11R-40	40	40	51	102	78	62	20	80	11	M10*12	Φ8.7	60	90
LIN-11G-50	LIN-11R-50	50	52	61	122	102	80	24	100	11	M10*12	Φ8.7	80	110

产品编码 Part No.	内径 I.D [mm]	公差 Tolerance [mm]	F max. [N]		重量 Weight [g]
			最大动载荷 Dynamic Load P=5MPa	最大静载荷 Static Load P=35MPa	
LIN-11G-12	12	+0.030/+0.088	960	6720	79
LIN-11G-16	16	+0.030/+0.088	1440	10080	125
LIN-11G-20	20	+0.030/+0.091	2250	15750	159
LIN-11G-25	25	+0.030/+0.091	3625	25375	343
LIN-11G-30	30	+0.040/+0.110	5100	35700	450
LIN-11G-40	40	+0.040/+0.115	8000	56000	1021
LIN-11G-50	50	+0.040/+0.130	9000	87500	1871