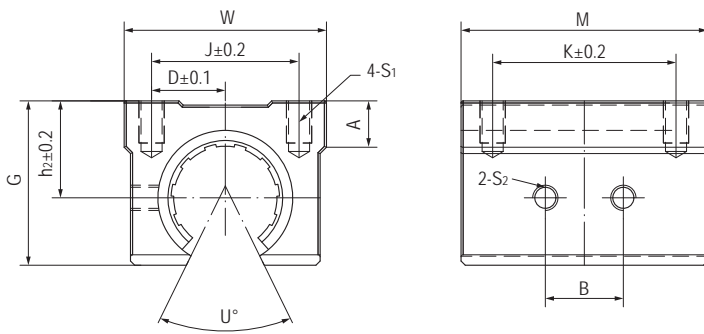


### LIN-11GKL 加长型开口直线轴承座 Open housing bearings, long design



- 开口型轴承座设计
- 装配2个LIN-11RK直线轴承
- 阳极氧化铝合金座孔
- 螺栓固定
- 免维护、低噪音
- 适用于污垢或灰尘环境
- 使用温度 -50℃/+90℃
- Open housing design and increased the guide length
- Assembled 2pcs linear bearings LIN-11RK
- Anodized aluminum housing
- Secured by bolts
- Maintenance-free and low noise
- Resistance to dirt and dust
- Operation temperature -50℃/+90℃

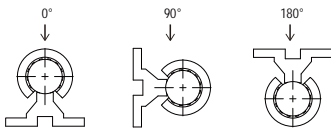
### 标准规格 Standard specifications



产品编码 Part No.:

LIN-11GKL-16

- 轴承内径 Inner diameter
- 开口型长设计直线轴承座  
Open, pillow block, long design
- LIN-11RK直线轴承  
Standard bearings LIN-11RK



轴 Shaft: h6-h9

产品编码 Part No.	内装轴承 Bearing [mm]	轴径 Shaft [mm]	尺寸 Size [mm]												
			D	W	G	A	M	h <sub>2</sub>	D1	U°	J	K	B	S <sub>1</sub>	S <sub>2</sub>
LIN-11GKL-16	2 × LIN-1628-36RK	16	22.5	45	33	9	85	20	22.5	80	32	60	41	M5*12	M5
LIN-11GKL-20	2 × LIN-11RK-20	20	24	48	39	11	96	23	24	60	35	70	47	M6*12	M5
LIN-11GKL-25	2 × LIN-11RK-25	25	30	60	47	14	130	27	30	50	40	100	63	M6*12	M5
LIN-11GKL-30	2 × LIN-3045-68RK	30	35	70	56	15	140	33	35	50	50	110	70	M8*18	M5

产品编码 Part No.	内径 I.D [mm]	公差 Tolerance [mm]	F max. [N]			F max. [N]			重量 Weight [g]
			最大动载荷 Dynamic Load P=5MPa			最大静载荷 Static Load P=35MPa			
			0°	90°	180°	0°	90°	180°	
LIN-11GKL-16	16	+0.030/+0.088	2880	1980	792	20160	13886	5544	250
LIN-11GKL-20	20	+0.030/+0.091	4500	3600	1800	31500	25200	12600	318
LIN-11GKL-25	25	+0.030/+0.091	7250	5906	3046	50750	41340	21316	686
LIN-11GKL-30	30	+0.040/+0.110	10200	8500	4556	71400	59470	31896	905