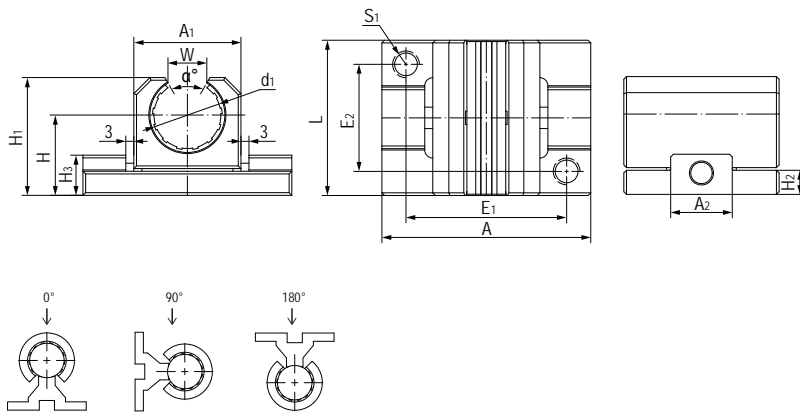


LIN-11BFK 开口式浮动直线滑块轴承 Opening and floating pillow blocks



- 开口式浮动设计
 - 装配标准LIN-11K滑动膜
 - 补偿平行度误差 $\pm 3.0\text{mm}$
 - 补偿对中误差 $\pm 3.5^\circ$
 - 阳极氧化铝合金适配器
 - 免维护、低噪音
 - 适用于污垢或灰尘环境
 - 使用温度 $-50^\circ\text{C}/+90^\circ\text{C}$
- Opening and floating design
 - Assembled standard liner LIN-11K
 - Compensation of parallelism errors $\pm 3.0\text{mm}$
 - Compensation of misalignment errors $\pm 3.5^\circ$
 - Anodized aluminum adapter
 - Maintenance-free and low noise
 - Resistance to dirt and dust
 - Operation temperature $-50^\circ\text{C}/+90^\circ\text{C}$

标准规格 Standard specifications



产品编码 Part No.:

LIN-11BFK-12

- 轴承内径 Inner diameter
- 可调节设计滑块 Alignment design block
- LIN-11K 标准滑动膜 Standard liners LIN-11K

轴 Shaft: h6-h9

产品编码 Part No.	d_1 [mm]	公差 Tolerance [mm]	$H \pm 0.01$ [mm]	H_1 [mm]	A [mm]	$W-1$ [mm]	$E_1 \pm 0.15$ [mm]	$E_2 \pm 0.15$ [mm]	S_1 [mm]	A_1 [mm]	A_2 [mm]	H_2 [mm]	H_3 [mm]	α [°]	L [mm]
LIN-11BFK-12	12	+0.030/+0.088	18	24.5	43	10.2	32	23	M5	20	13	6	11	90°	32
LIN-11BFK-16	16	+0.030/+0.088	22	30.5	53	11.6	40	26	M6	26	15	7	11	90°	36
LIN-11BFK-20	20	+0.030/+0.091	25	37	60	12	45	32	M8	32	19	7	12.5	90°	45
LIN-11BFK-25	25	+0.030/+0.091	30	44	78	14.5	60	40	M10	40	23	9	15	90°	58
LIN-11BFK-30	30	+0.040/+0.110	35	52.5	87	16.8	68	45	M10	48	28	10	15	90°	68
LIN-11BFK-40	40	+0.040/+0.115	45	69	108	21.0	86	58	M12	62	80	20	20	90°	80
LIN-11BFK-50	50	+0.050/+0.130	50	80	132	25.5	108	50	M16	78	100	24	24	90°	100

产品编码 Part No.	轴径 Shaft [mm]	F max. [N] 最大动载荷 Dynamic Load			F max. [N] 最大静载荷 Static Load			重量 Weight [g]
		0°	90°	180°	0°	90°	180°	
LIN-11BFK-12	12	960	635	240	6000	4445	1680	40
LIN-11BFK-16	16	1440	990	396	7500	6943	2772	70
LIN-11BFK-20	20	2250	1800	900	10800	12600	6300	115
LIN-11BFK-25	25	3625	2953	1523	18000	20670	10658	240
LIN-11BFK-30	30	5100	4250	2278	24000	29735	15948	370
LIN-11BFK-40	40	8000	6810	3800	37500	47660	26600	750
LIN-11BFK-50	50	12500	10750	6125	45000	75265	42875	1400