

SRB-01回转支承轴承 Slewing ring bearings



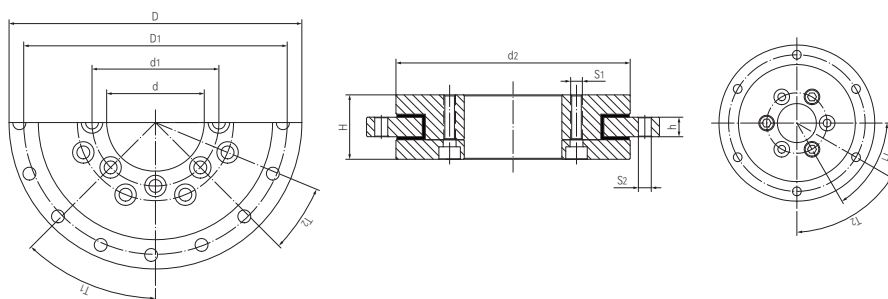
产品特性 Product features

- 适合高速应用
- 运行平稳，无噪音
- 标准滑动片材料TEFPLAS® B
- 可选抗静电滑动片TEFPLAS® C
- 内外环为高强度铝合金
- 可选不锈钢盘
- 自润滑、免维护
- 适用于无尘室
- For high speed applications
- Smooth operation and noise-free
- Standard sliding pads made from TEFPLAS® B, available ESD material TEFPLAS® C
- Inner and outer rings made of anodized aluminum, available stainless steel rings
- Self-lubricating, maintenance-free
- Cleanroom applications possible

产品技术数据表 Technical data table

| 项目 Item | 单位 Unit | SRB-01-20 | SRB-01-30 | SRB-01-50 | SRB-01-60 | |
|-------------------------------------|-----------|-----------|-----------|-----------|-----------|-------|
| 重量 Weight | kg | 0.2 | 0.4 | 1.0 | 1.1 | |
| 最大旋转速度 Max. Rotation Speed | r/min | 600 | 400 | 300 | 270 | |
| 最大静载荷 Max. Static Load | 轴向 Axial | N | 9500 | 16000 | 25000 | 31000 |
| | 径向 Radial | N | 2600 | 4100 | 5900 | 8900 |
| 最大动载荷 Max. Dynamic Load | 轴向 Axial | N | 2500 | 4300 | 6200 | 9400 |
| | 径向 Radial | N | 390 | 890 | 1480 | 1780 |
| 最大允许倾覆力矩 Max. Permitted Overturning | Nm | 60 | 120 | 370 | 500 | |

标准规格 Standard specifications



产品编码 Part No.:

SRB-01-20

内径 Inner diameter

系列号 Design No.

| 产品编码 Part No. | d [mm] | d ₁ [mm] | d ₂ ±0.2 [mm] | *D [mm] | D ₁ [mm] | H [mm] | h [mm] | T ₁ [mm] | T ₂ [mm] | S ₁ [mm] | S ₂ [mm] |
|---------------|--------|---------------------|--------------------------|---------|---------------------|--------|--------|---------------------|---------------------|---------------------|---------------------|
| SRB-01-20 | 20 | 31 | 60 | 80 | 70 | 24 | 8 | 6x60° | 6x60° | M4 | 4.5 |
| SRB-01-30 | 30 | 42.5 | 85 | 100 | 91 | 29 | 10 | 8x45° | 8x45° | M4 | 4.5 |
| SRB-01-50 | 50 | 65 | 120 | 150 | 135 | 33 | 10 | 8x45° | 16x22.5° | M6 | 6.6 |
| SRB-01-60 | 60 | 74 | 130 | 160 | 145 | 33 | 10 | 10x36° | 20x18° | M5 | 5.5 |

*D: 公差标准 Tolerance according to ISO 2768 mK

SRB-02回转支撑轴承 Slewing ring bearings



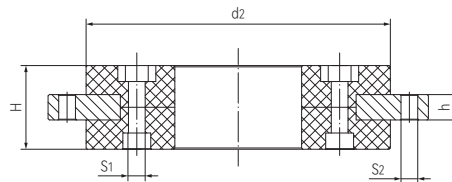
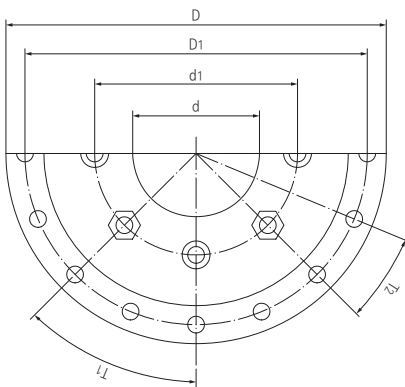
产品特性 Product features

- 非常轻的回转环
- 紧凑尺寸设计
- 自润滑、免维护
- 高硬度铝合金外圈
可选不锈钢
- 内环由MN70材料制成
- 低成本选择
- Extremely light weight slewing ring
- Compact dimensions design
- Self-lubricating, maintenance-free
- Outer rings made of anodized aluminum, available stainless steel rings
- Inner ring made from MN70
- Low-cost version

产品技术数据表 Technical data table

| 项目 Item | 单位 Unit | SRB-02-20 | SRB-02-30 | SRB-02-50 | SRB-02-60 | |
|-------------------------------------|-----------|-----------|-----------|-----------|-----------|-------|
| 重量 Weight | kg | 0.2 | 0.3 | 0.8 | 0.9 | |
| 最大旋转速度 Max. Rotation Speed | r/min | 150 | 120 | 70 | 60 | |
| 最大静载荷 Max. Static Load | 轴向 Axial | N | 13000 | 25000 | 35000 | 45000 |
| | 径向 Radial | N | 2000 | 2500 | 5000 | 10000 |
| 最大动载荷 Max. Dynamic Load | 轴向 Axial | N | 4000 | 7000 | 9000 | 12000 |
| | 径向 Radial | N | 500 | 700 | 1200 | 2800 |
| 最大允许倾覆力矩 Max. Permitted Overturning | Nm | 60 | 100 | 120 | 200 | |

标准规格 Standard specifications



产品编码 Part No.:

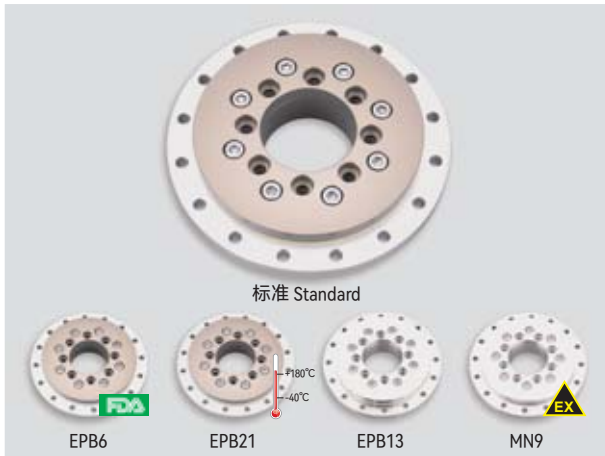
SRB-02-20

内径 Inner diameter
系列号 Design No.

| 产品编码 Part No. | d [mm] | d ₁ [mm] | d ₂ ±0.2 [mm] | *D [mm] | D ₁ [mm] | H [mm] | h [mm] | T ₁ [mm] | T ₂ [mm] | S ₁ [mm] | S ₂ [mm] |
|------------------|-----------|------------------------|-----------------------------|------------|------------------------|-----------|-----------|------------------------|------------------------|------------------------|------------------------|
| SRB-02-20 | 20 | 31 | 60 | 80 | 70 | 16 | 5 | 6x60° | 6x60° | 5 | 4.5 |
| SRB-02-30 | 30 | 42.5 | 80 | 100 | 91 | 19 | 6 | 8x45° | 8x45° | 5 | 4.5 |
| SRB-02-50 | 50 | 65 | 120 | 150 | 135 | 20 | 6 | 16x22.5° | 8x45° | 6.6 | 6.6 |
| SRB-02-60 | 60 | 74 | 130 | 160 | 145 | 30 | 10 | 10x36° | 20x18° | 6.5 | 5.5 |

*D: 公差标准 Tolerance according to ISO 2768 mK

SRB-03回转支承轴承 Slewing ring bearings



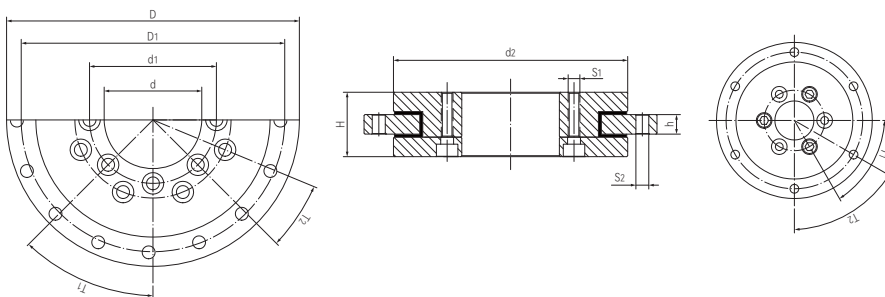
产品特性 Product features

- 自润滑、免维护
- 滑动片标准材料EPB13, 可选配FDA等级材料EPB6、高强度高温材料EPB21、抗静电材料MN9
- 滑动片易安装与更换
- 内外环采用高强度铝合金, 可选配不锈钢内外环
- 适用于高负载应用
- Completely maintenance-free
- Standard sliding pads made from EPB13, available FDA grade material EPB6、high temperature material EPB21、ESD material MN9
- Easy to install with replaceable sliding pads
- Inner and outer rings made of anodized aluminum, available stainless steel rings
- For very high load applications

产品技术数据表 Technical data table

| 项目 Item | 单位 Unit | SRB-03-20 | SRB-03-30 | SRB-03-50 | SRB-03-60 | SRB-03-100 | SRB-03-150 | SRB-03-200 |
|-------------------------------------|-----------|-----------|-----------|-----------|-----------|------------|------------|------------|
| 重量 Weight | kg | 0.2 | 0.4 | 1.0 | 1.1 | 1.3 | 2.2 | 3.2 |
| 最大旋转速度 Max. Rotation Speed | r/min | 300 | 250 | 200 | 180 | 150 | 100 | 80 |
| 最大静载荷 Max. Static Load | 轴向 Axial | N | 15000 | 27000 | 40000 | 50000 | 80000 | 100000 |
| | 径向 Radial | N | 2300 | 5000 | 8000 | 10000 | 16000 | 45000 |
| 最大动载荷 Max. Dynamic Load | 轴向 Axial | N | 4000 | 7000 | 10000 | 15000 | 25000 | 30000 |
| | 径向 Radial | N | 600 | 1500 | 2500 | 3000 | 5000 | 10000 |
| 最大允许倾覆力矩 Max. Permitted Overturning | Nm | 100 | 200 | 600 | 800 | 1500 | 2000 | 3800 |

标准规格 Standard specifications



产品编码 Part No.:

SRB-03-20

内径 Inner diameter

系列号 Design No.

| 产品编码 Part No. | d [mm] | d ₁ [mm] | d ₂ ±0.2 [mm] | *D [mm] | D ₁ [mm] | H [mm] | h [mm] | T ₁ [mm] | T ₂ [mm] | S ₁ [mm] | S ₂ [mm] |
|---------------|--------|---------------------|--------------------------|---------|---------------------|--------|--------|---------------------|---------------------|---------------------|---------------------|
| SRB-03-20 | 20 | 31 | 60 | 80 | 70 | 24 | 8 | 6x60° | 6x60° | M4 | 4.5 |
| SRB-03-30 | 30 | 42.5 | 82 | 100 | 91 | 29 | 10 | 8x45° | 8x45° | M4 | 4.5 |
| SRB-03-50 | 50 | 65 | 120 | 150 | 135 | 33 | 10 | 8x45° | 16x22.5° | M6 | 6.6 |
| SRB-03-60 | 60 | 74 | 130 | 160 | 145 | 33 | 10 | 10x36° | 20x18° | M5 | 5.5 |
| SRB-03-100 | 100 | 112 | 160 | 185 | 170 | 34 | 12 | 12x30° | 16x22.5° | M5 | 5.5 |
| SRB-03-150 | 150 | 165 | 220 | 250 | 235 | 35 | 12 | 12x30° | 16x22.5° | M5 | 5.5 |
| SRB-03-200 | 200 | 215 | 274 | 300 | 285 | 38 | 15 | 12x30° | 16x22.5° | M6 | 6.6 |

*D: 公差标准 Tolerance according to ISO 2768 mK